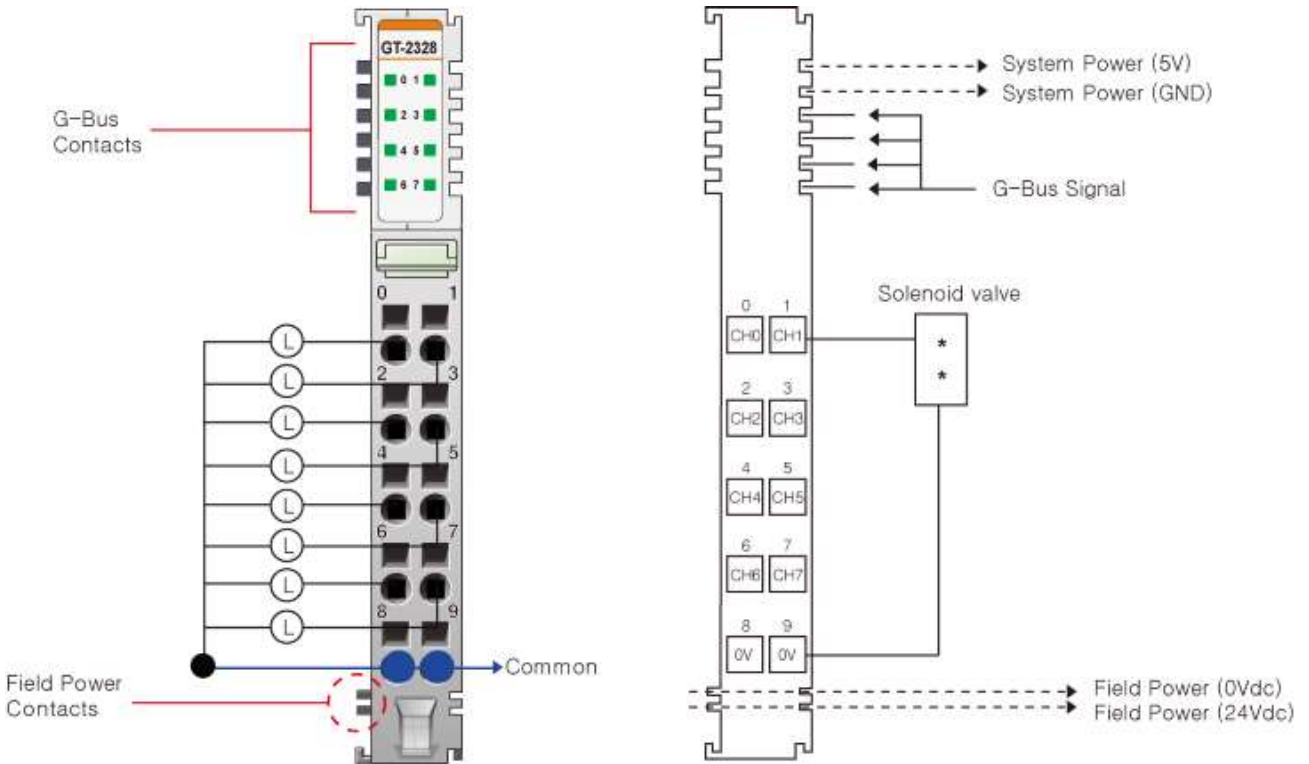


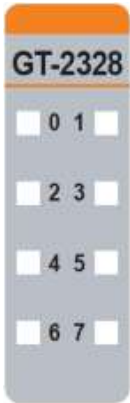
### 3.2. GT-2328

#### 3.2.1. Wiring Diagram



Pin No.	Signal Description	Signal Description	Pin No.
0	Output Channel0	Output Channel1	1
2	Output Channel2	Output Channel3	3
4	Output Channel4	Output Channel5	5
6	Output Channel6	Output Channel7	7
8	Common (Field Power 0V)	Common (Field Power 0V)	9

### 3.2.2. LED Indicator



LED No.	LED Function / Description	LED Color
0	Output Channel 0	Green
1	Output Channel 1	Green
2	Output Channel 2	Green
3	Output Channel 3	Green
4	Output Channel 4	Green
5	Output Channel 5	Green
6	Output Channel 6	Green
7	Output Channel 7	Green

### 3.2.3. Channel Status LED

Status	LED	To indicate
Not Signal	Off	Normal Operation
On Signal	Green	Normal Operation

### 3.2.4. Environment Specification

Environmental specification	
Operating Temperature	-40°C~70°C
UL Temperature	-20°C~60°C
Storage Temperature	-40°C~85°C
Relative Humidity	5% ~ 90% non-condensing
Mounting	DIN rail
General specification	
Shock Operating	IEC 60068-2-27
Vibration Resistance	Based on IEC 60068-2-6 Sine Vibration 5 ~ 25Hz : ±1.6mm - 25 ~ 300Hz : 4g Sweep Rate : 1 Oct/min, 20 Sweeps Random Vibration 10 ~ 40 Hz : 0.0125 g <sup>2</sup> /Hz 40 ~ 100 Hz : 0.0125 → 0.002 g <sup>2</sup> /Hz - 100 ~ 500 Hz : 0.002 g <sup>2</sup> /Hz 500 ~ 2000 Hz : 0.002 → 1.3 x 10 <sup>-4</sup> g <sup>2</sup> /Hz Test time : 1hrs for each test
Industrial Emissions	EN 61000-6-4/A11 : 2011
Industrial Immunity	EN 61000-6-2 : 2005
Installation Position	Vertical and horizontal installation is available.
Product Certifications	CE, UL

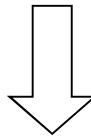
### 3.2.5. Specification

Items	Specification
<b>Output Specification</b>	
Output per module	8 Points Source type
Indicators (Logic side)	8 Green output state
Output Voltage Range	Nominal 24Vdc, Min. 15Vdc to Max. 32Vdc
ON-state voltage drop	Max. 0.5Vdc @ 25°C, 70°C, -40°C
Field Power OFF-state voltage	4.6Vdc @ 25°C
ON-State Min. Current	1mA per channel
OFF-State Leakage current	Max. 25uA
Output Signal Delay	OFF to ON : 0.3ms maximum ON to OFF : 0.3ms maximum
Output Current Rating	Max. 0.5A per channel / Max. 4A per unit
Protection	Over Current limit : Min 6.5A@ 25°C per each channels Thermal Shutdown : Min 4A@ 25°C per each channels Short circuit protection
COMMON Type	8 points / Internal 2Com
<b>General specification</b>	
Power dissipation	40mA maximum @ 5.0Vdc
Isolation	I/O to Logic : Isolation Field Power : Non-isolation
Field Power	Supply voltage : 24Vdc nominal Voltage range : 15 to 32Vdc Power dissipation: 10mA @ 24Vdc
Wiring	I/O Cable Max. 2.0mm <sup>2</sup> (AWG 14)
Weight	40g
Module Size	12mm x 99mm x 70mm
<b>Environment Condition</b>	<b>Refer to '1. Environment Specification'</b>

### 3.2.6. Mapping Data into the Image Table

- Output Image Value

Bit No	Bit7	Bit6	Bit5	Bit4	Bit3	Bit2	Bit1	Bit0
Byte0	D7	D6	D5	D4	D3	D2	D1	D0



- Output Module Data

D7	D6	D5	D4	D3	D2	D1	D0
----	----	----	----	----	----	----	----

### 3.2.7. Parameter Data

- Valid Parameter Length : 2 Bytes
- Parameter Data

Bit No	Bit7	Bit6	Bit5	Bit4	Bit3	Bit2	Bit1	Bit0
Byte0	FaultAction (ch0~ch7)      0: Fault value, 1:Hold last state							
Byte1	Faultvalue (ch0~ch7)      0:Off, 1:On							